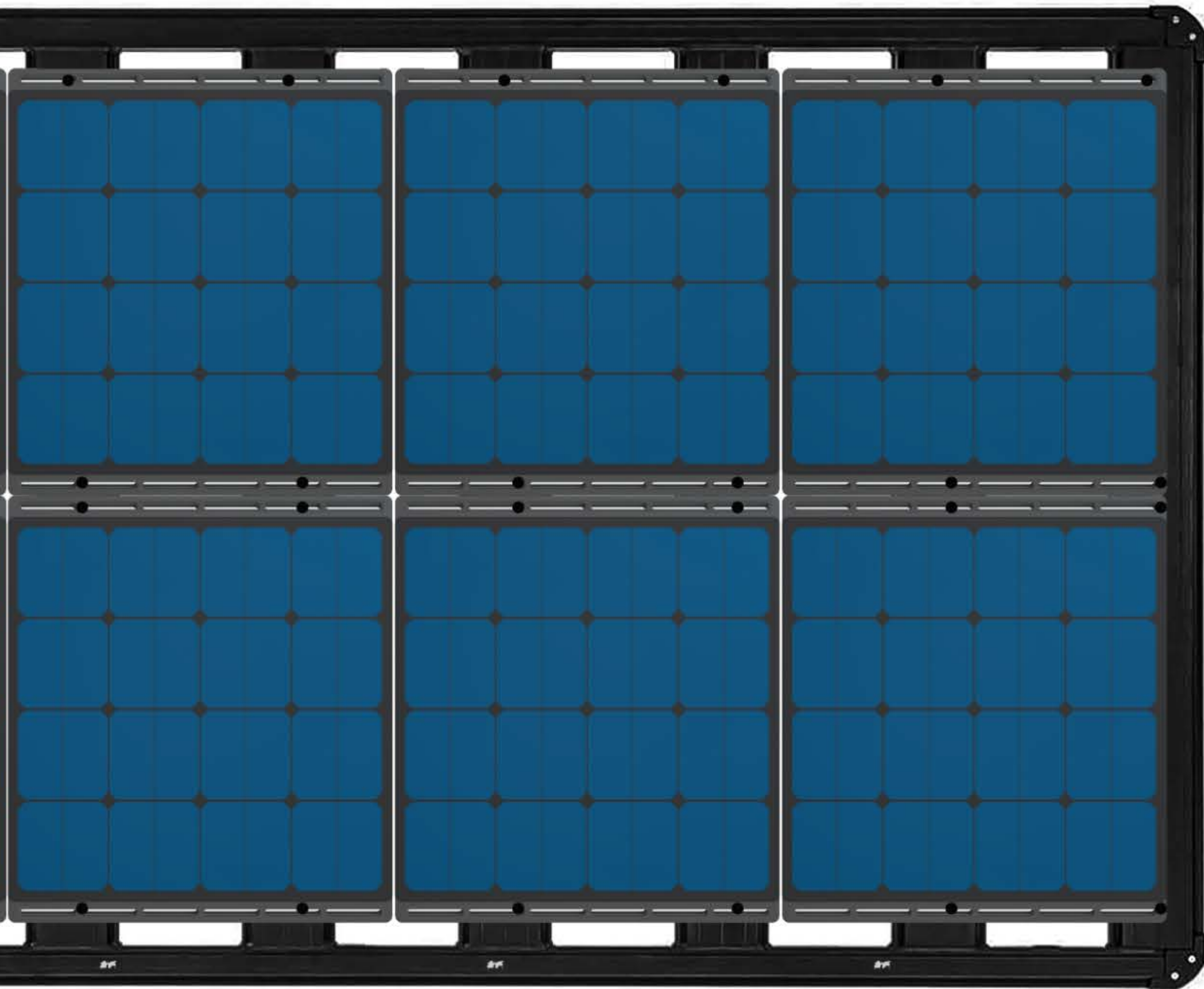




blox

A Modular Solar Series by XPLOR

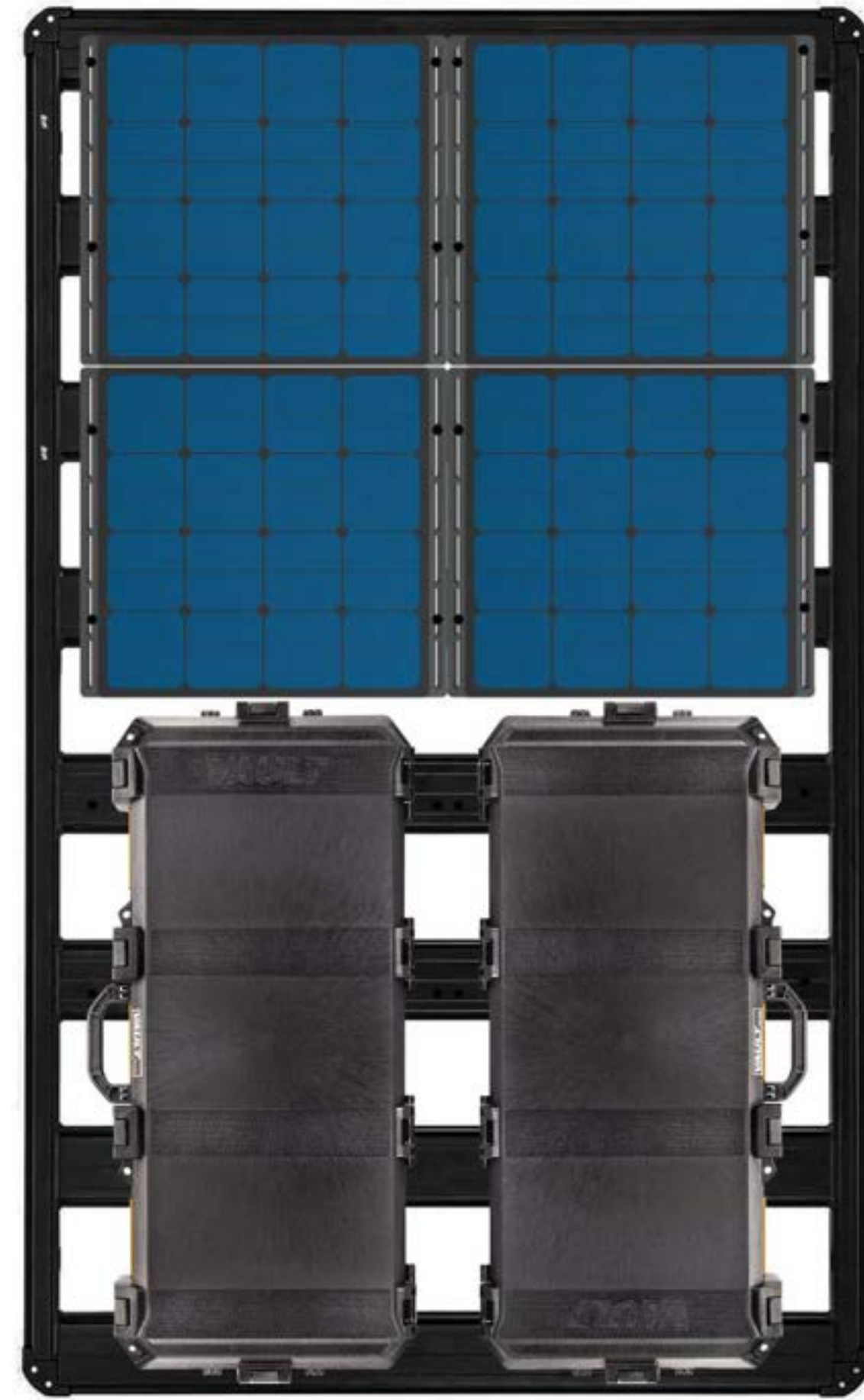
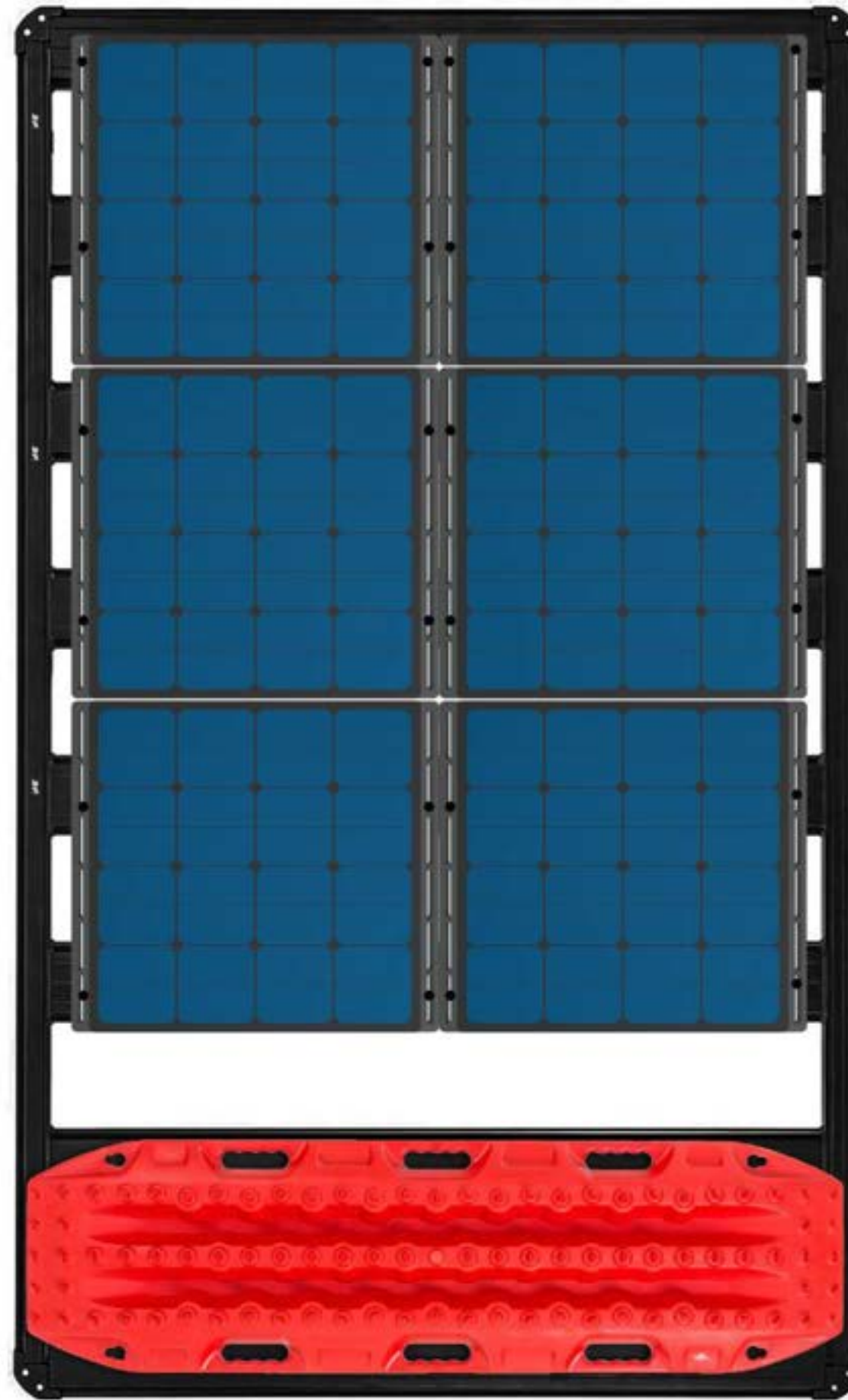
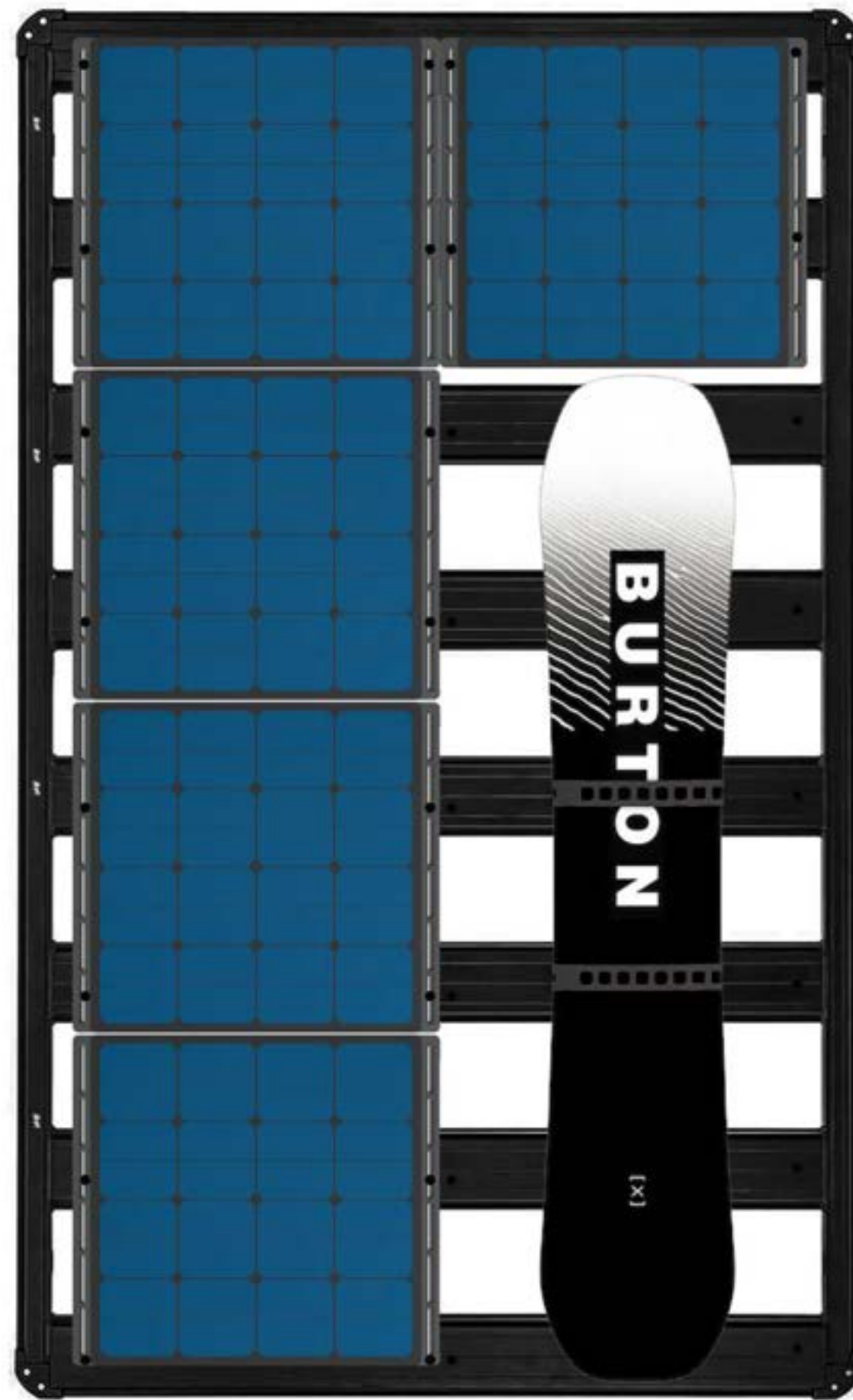


BLOX is a modular solar series concept by XPLOR, creators of the most rugged solar module on the market—a design inspired by the notion that everyone has different needs for solar power and specific mounting space considerations.

Completely configurable and compatible with most slotted cross-bar roof racks. Each solar module is 60 Watts. Start with one or two; increase power by adding more modules as you need. Or remove them temporarily from your rack as the need for space arises. Either way, it's designed to align with your purpose on any trip.

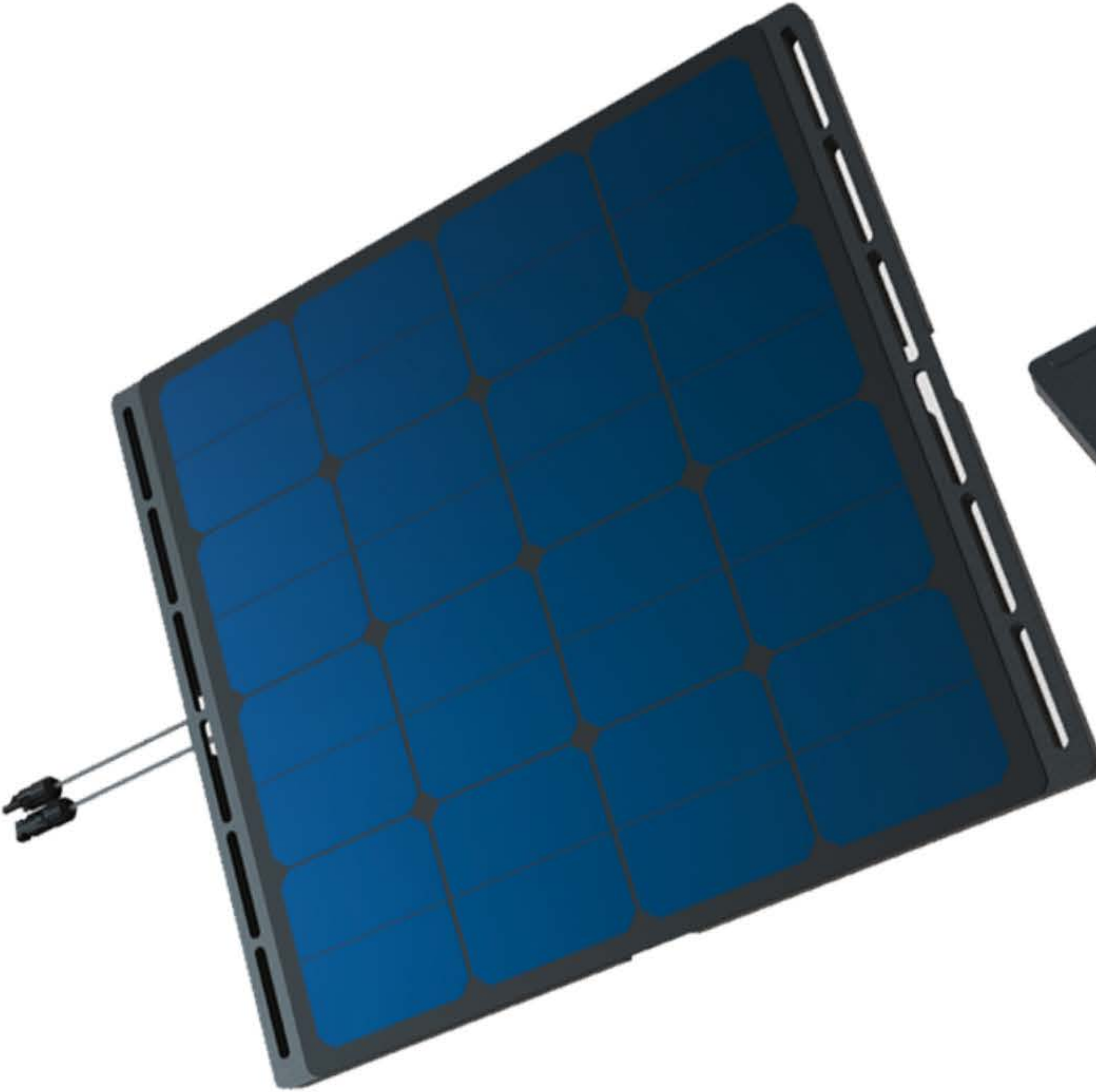
BLOX modules have the same XPLOR promise of quality and rugged-toughness. BLOX solar cells are the same A-grade silicon cells used in our Flex-Si series.





Completely configurable on most slotted cross-bar roof racks for life's individual adventure needs.

M BLOX 60 Watt Modular Solar Module

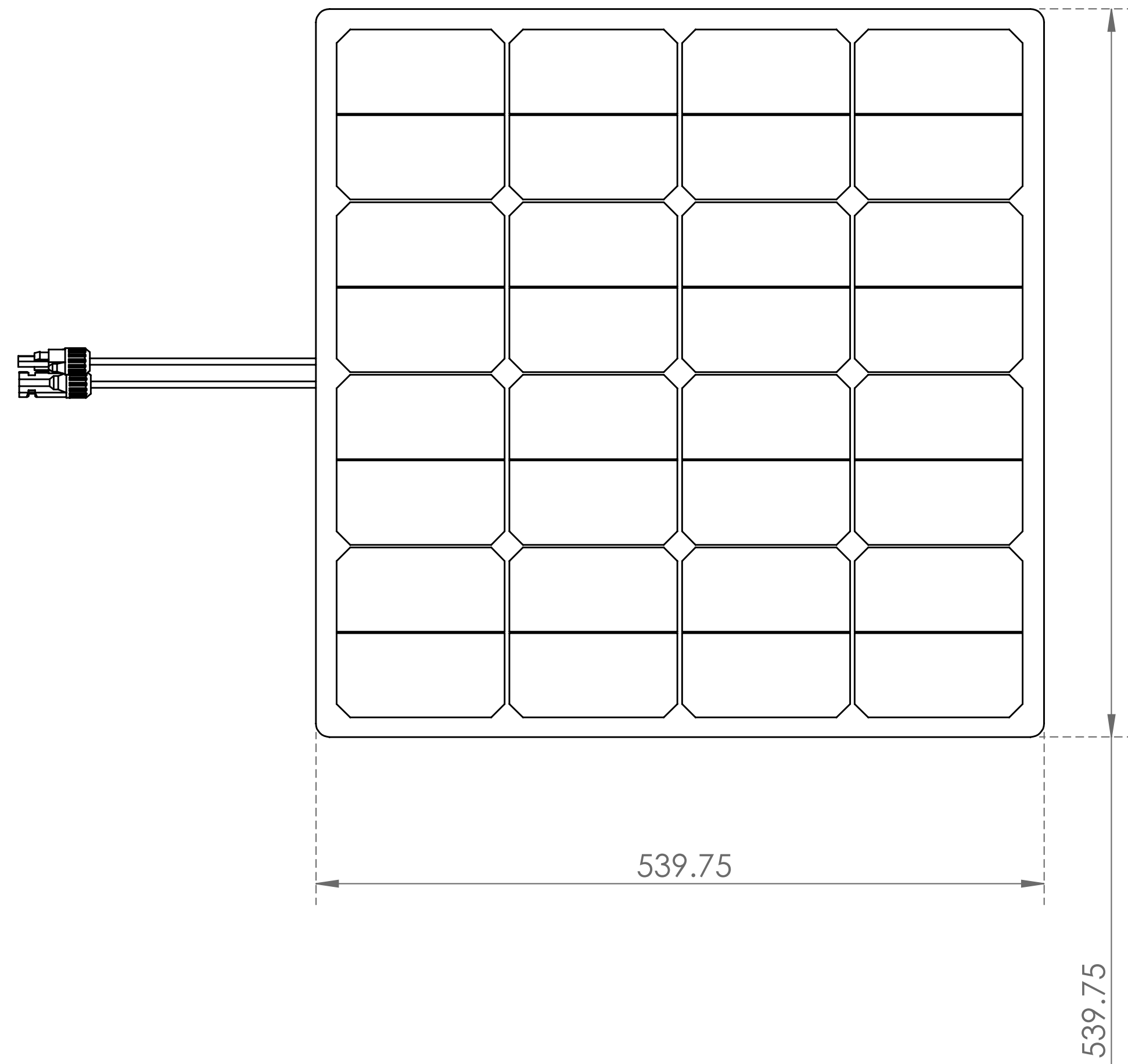
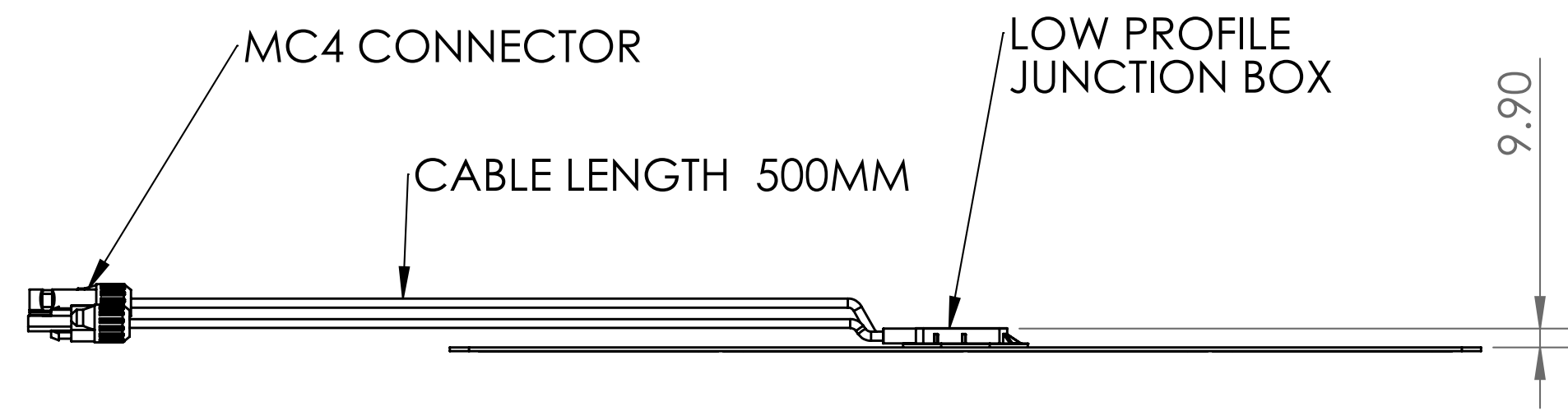


FRONT

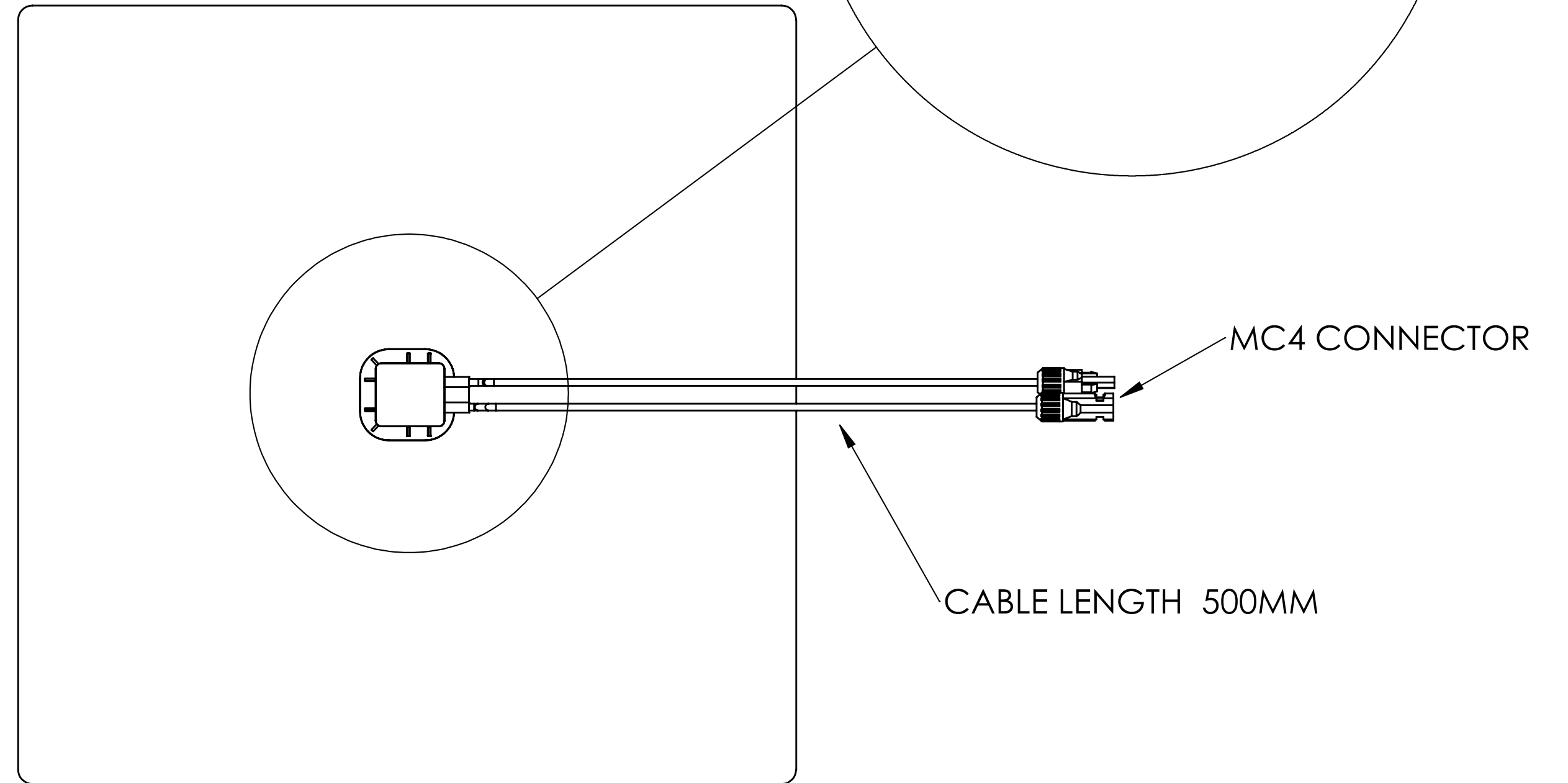
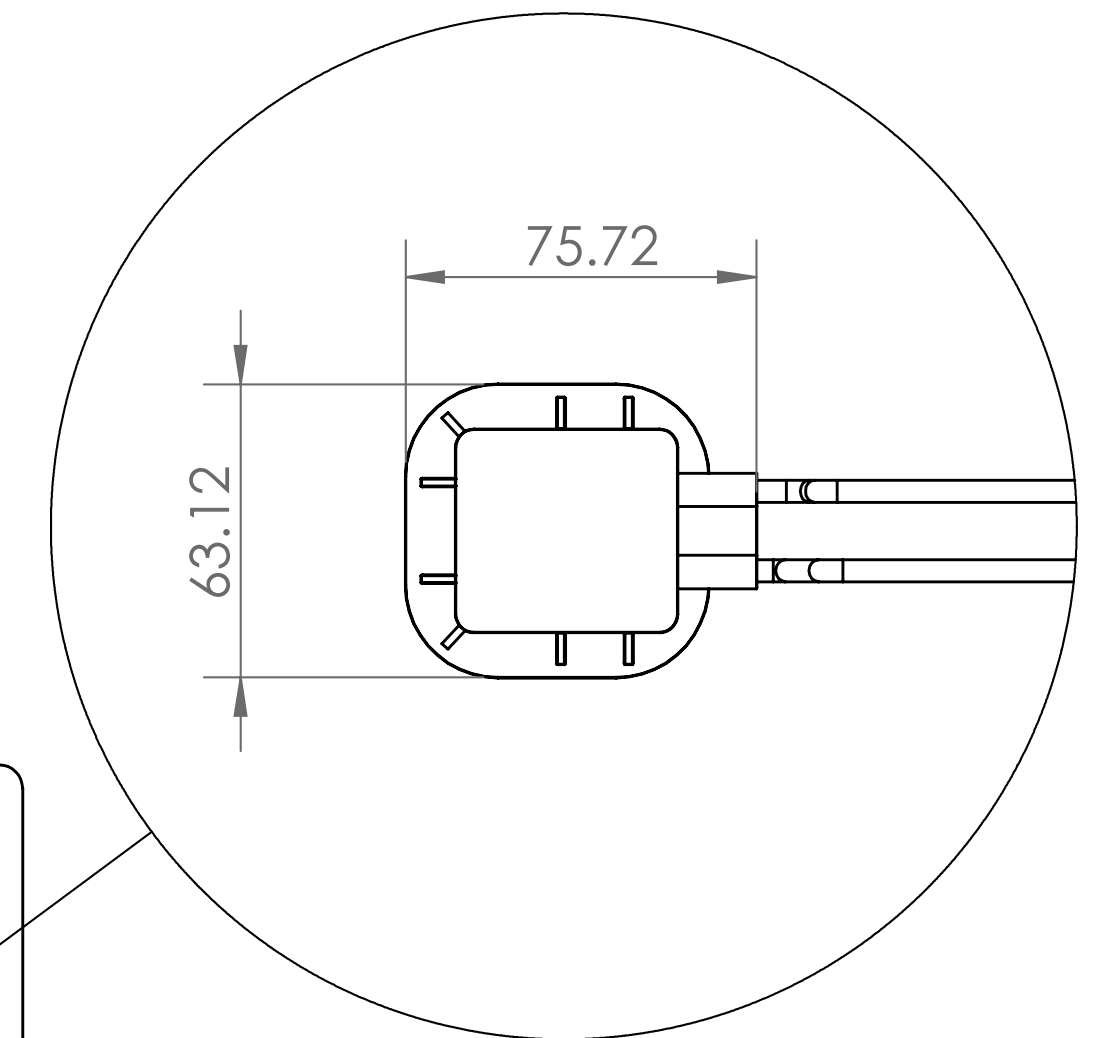


BACK

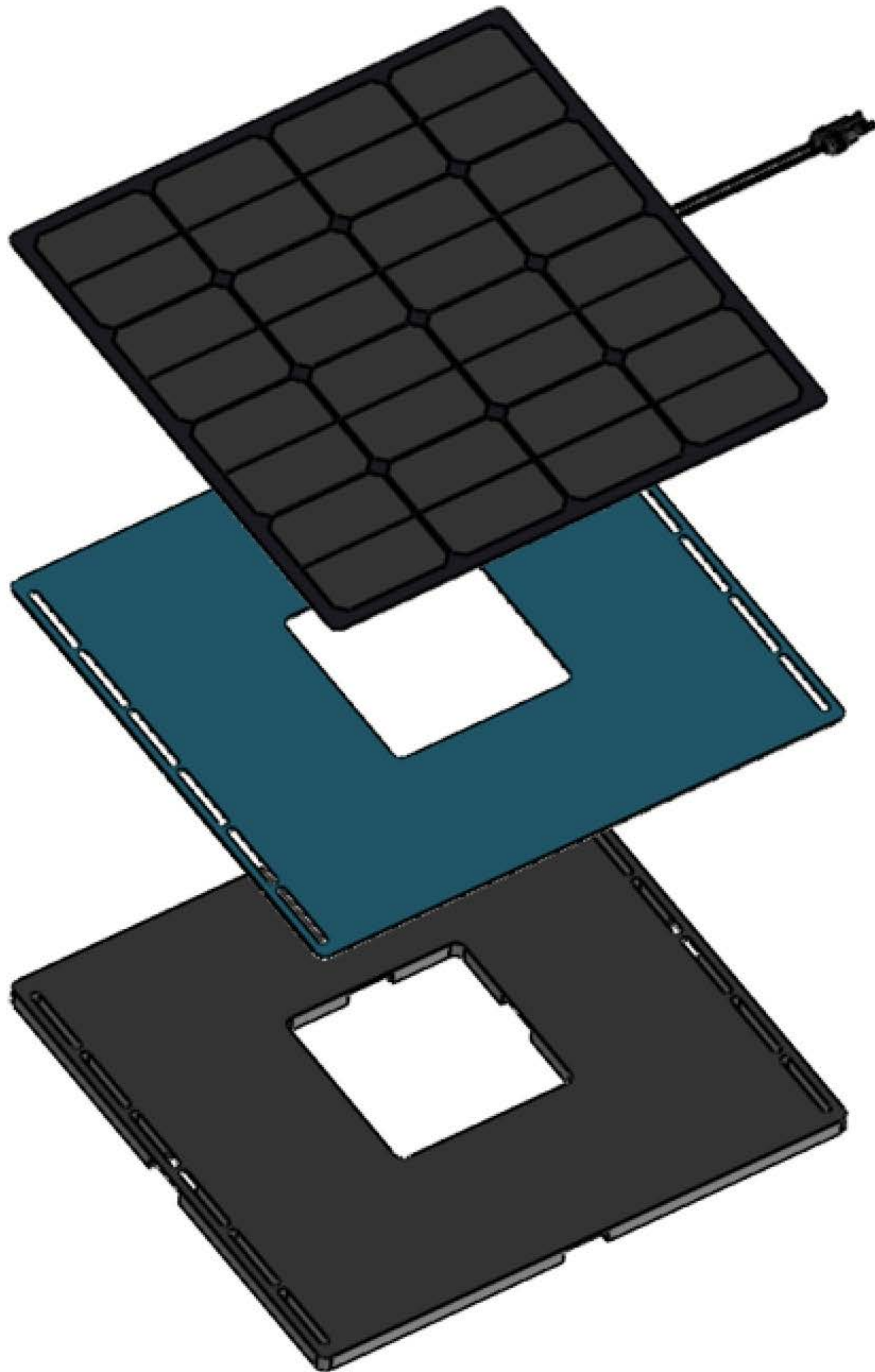




LOW PROFILE JUNCTION BOX



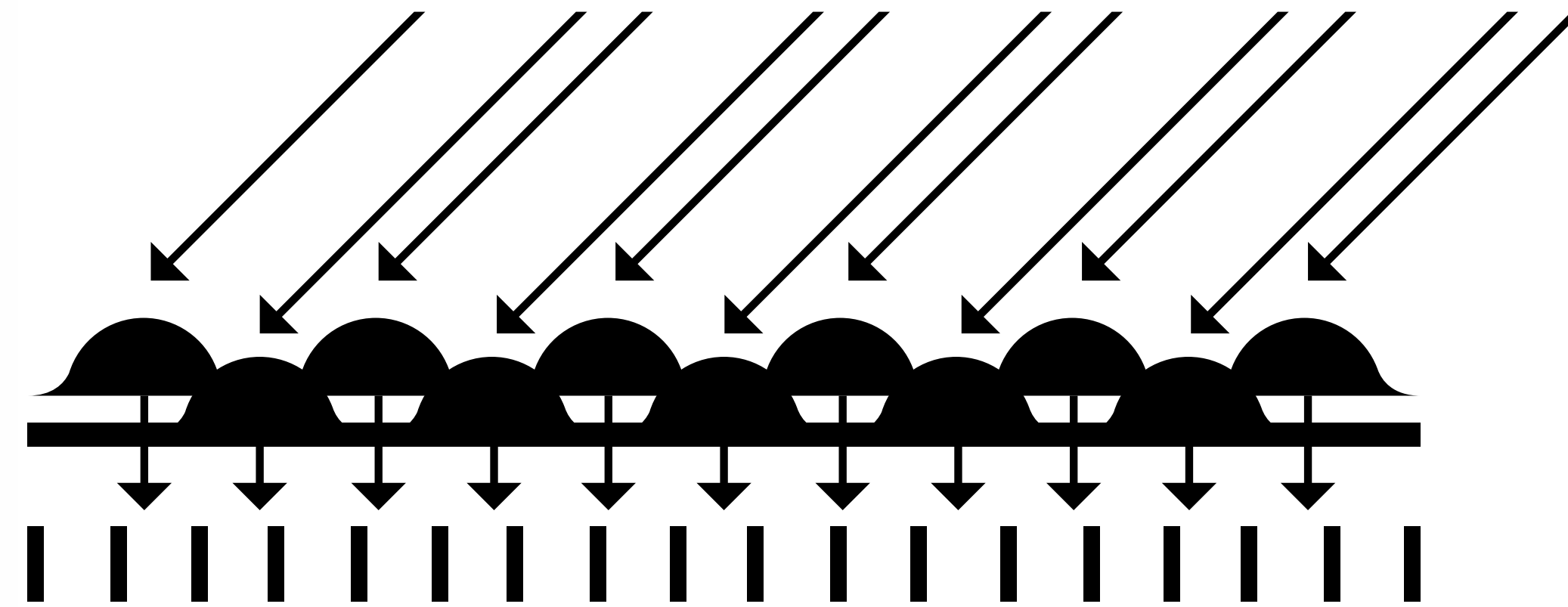




Thin, lightweight and durable solar module

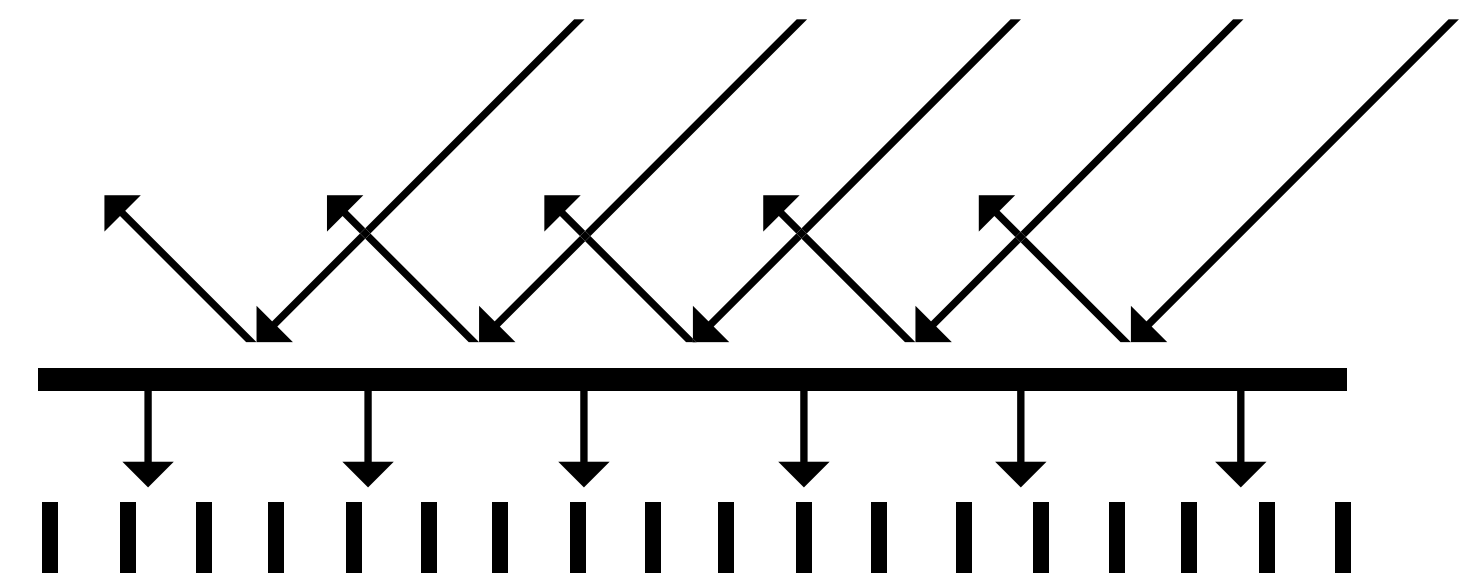
Skelitized 5052 aluminum alloy mounting plate

Industrial grade foam for mounting adherence and vibration reduction.



ETFE TOP LAMINANT

The innovative ETFE texture is designed to scatter light, minimizing the amount of reflection from the surface of the panel and maximizing the absorption of light by the solar cells. This translates to a significant boost in overall energy production. Moreover, the use of highly durable ETFE material offers unparalleled protection against harsh weather, UV radiation, corrosion, scratches and ensuring a long-lasting and low maintenance solar module solution.



Smooth surface modules reflects light.

EXPLORATION
EXPANDED

XPLOR

