

**AGILE  
OFFROAD**  
SMARTER THAN DIRT

**REAR DOOR REINFORCEMENT KIT  
VS30 SPRINTER**

# GENERAL INFORMATION

The AO Rear Door Reinforcement Kit is designed to fit the driver's side door on the VS30 2019+ Sprinter platform. The installation process will require drilling 8 holes through the inside of the door panel. The kit is not compatible with the passenger side door.

## PARTS INCLUDED

- 1 x Rear Door Reinforcement Plate (Driver side)
- 1 x Nut Plate
- 12 x Flat Washers
- 4 x Lock Washers
- 4 x 1/4 in. Nylon Lock Nuts
- 8 x 1/4 in. -20 x 3/4 in. Bolts

## TOOLS NEEDED

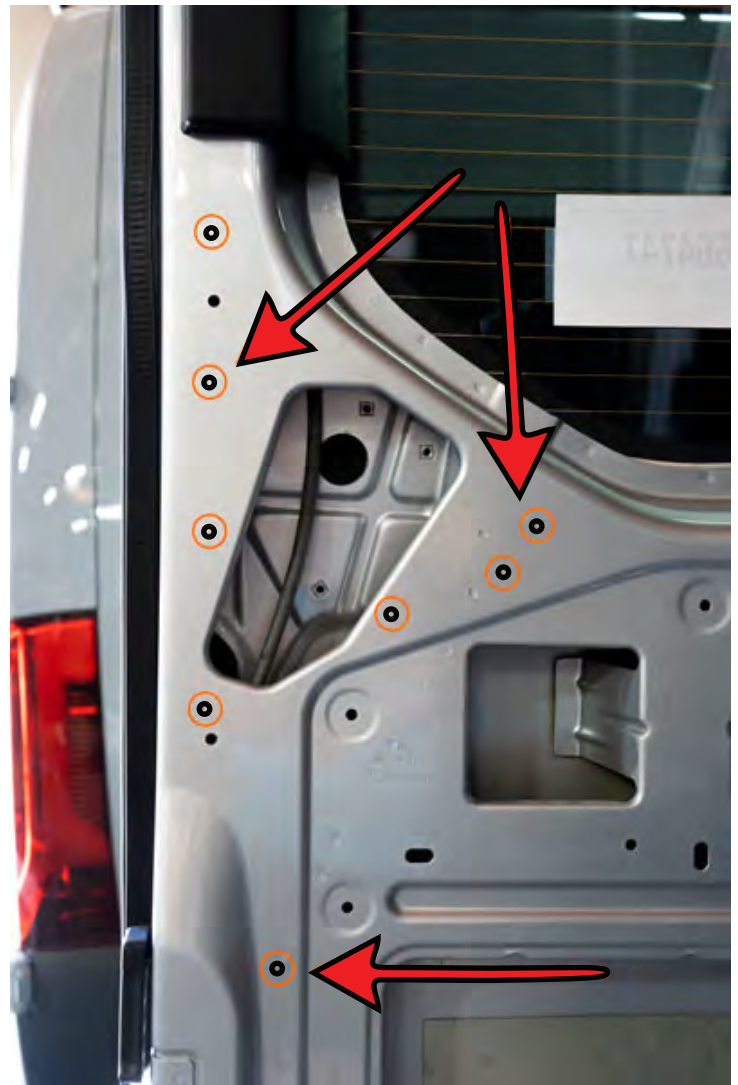
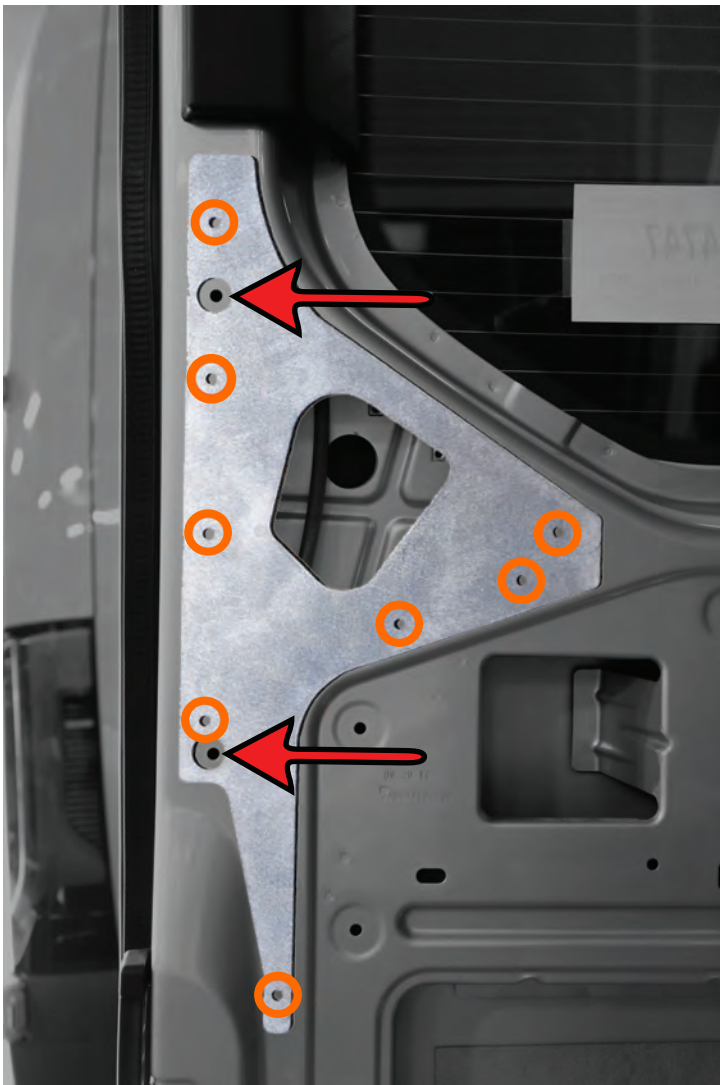
- Drill and 5/16 in. Drill Bit
- Marker
- Center punch
- Door Panel Removal Tool or Plastic Pry Tool

# INSTALLATION PROCESS

1. Remove the driver's side rear door panel (if equipped), use a panel removal tool/plastic pry tool. Start at the bottom corner of the door to pry the panel off enough to get your hands between the panel and the door. Work the clips out going up the door panel with easy but equal outward force.



2. Mock the Rear Door Reinforcement Plate on the door, making sure that the preexisting door panel holes are not covered by the Plate. Use a marker and trace the Reinforcement Plate's (8) mounting points.



3. Drill through the marked points with 5/16 in. drill bit.

*\*\*Note: Use a center punch to dimple the holes before drilling, to prevent the drill bit from wandering.*

*\*\*\*Note: It is recommended to use a drill bit stop collar to prevent the drill bit from hitting to outer door skin.*

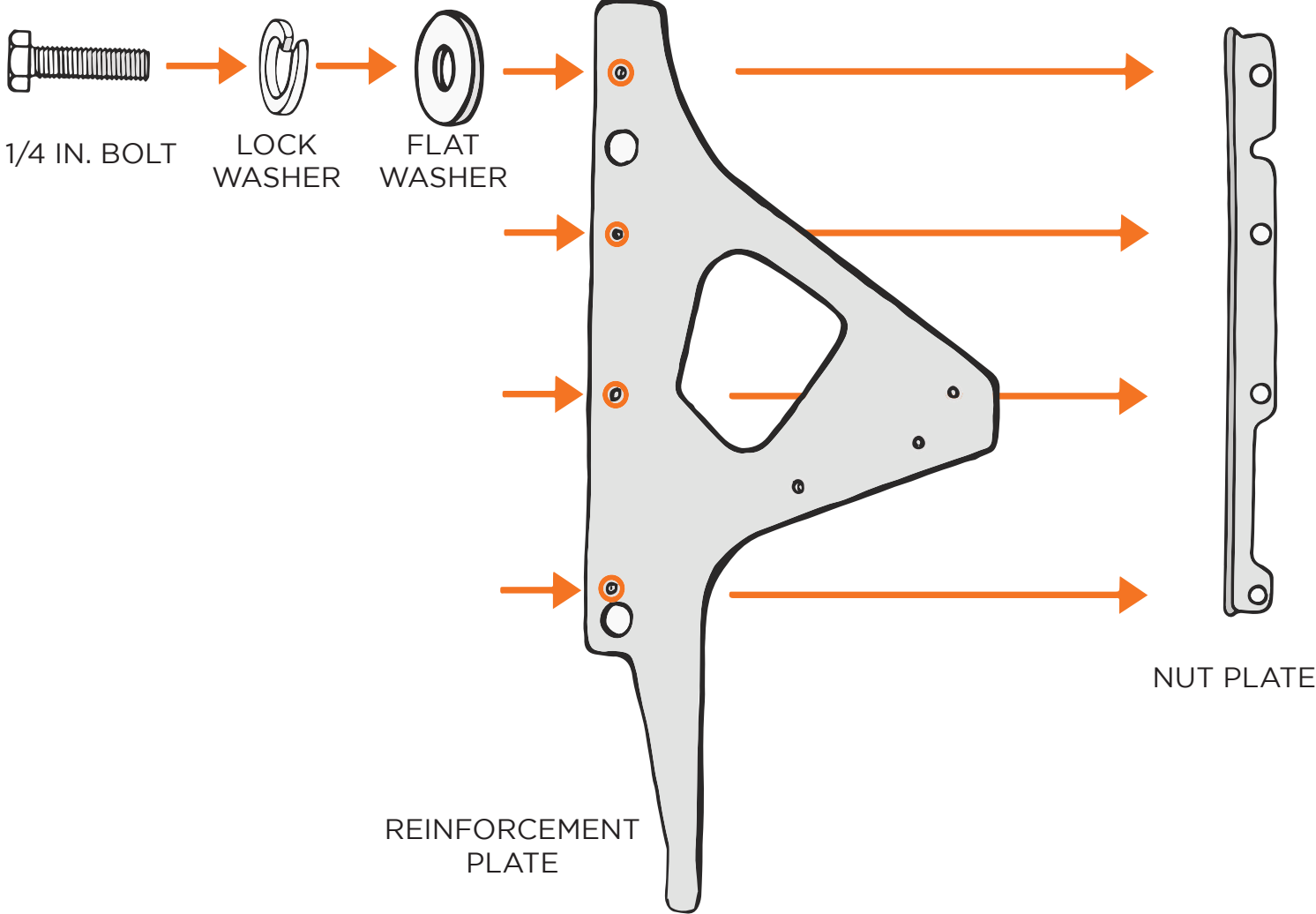


4. Hold the Nut Plate inside the door, then secure the door Reinforcement Plate using provided hardware (1/4 in. Bolts, Lock Washers, Flat Washers). Do not fully tighten the hardware until the next step is complete.

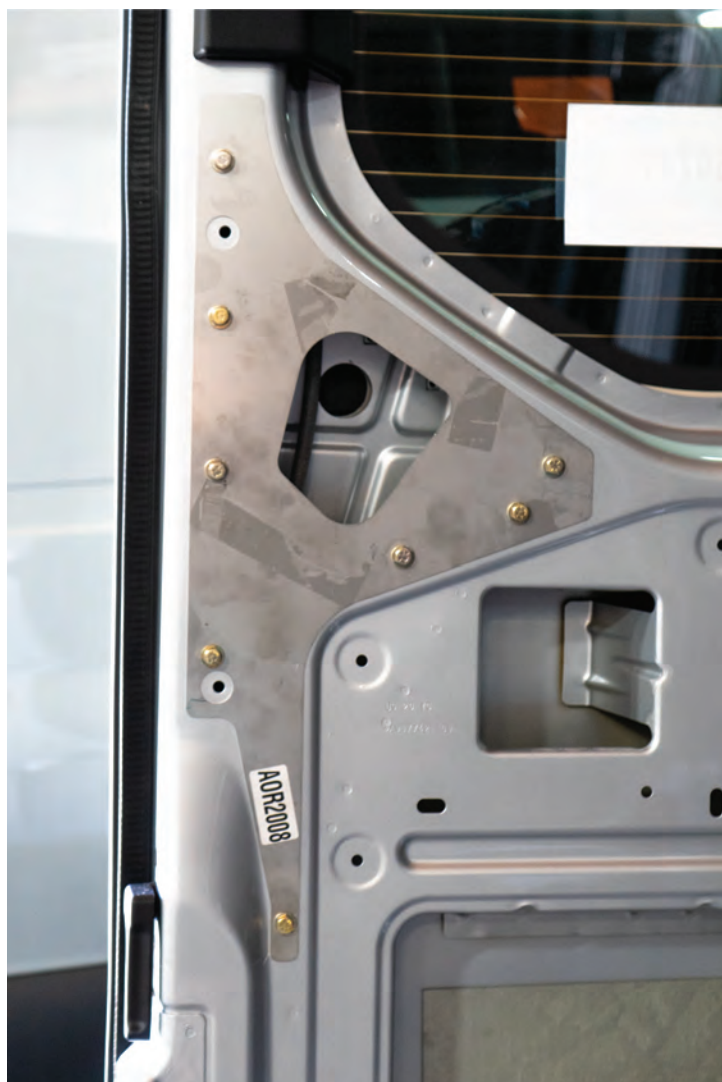


# HARDWARE INSTALLATION GUIDE

## MOUNTING THE REINFORCEMENT PLATE TO THE NUT PLATE



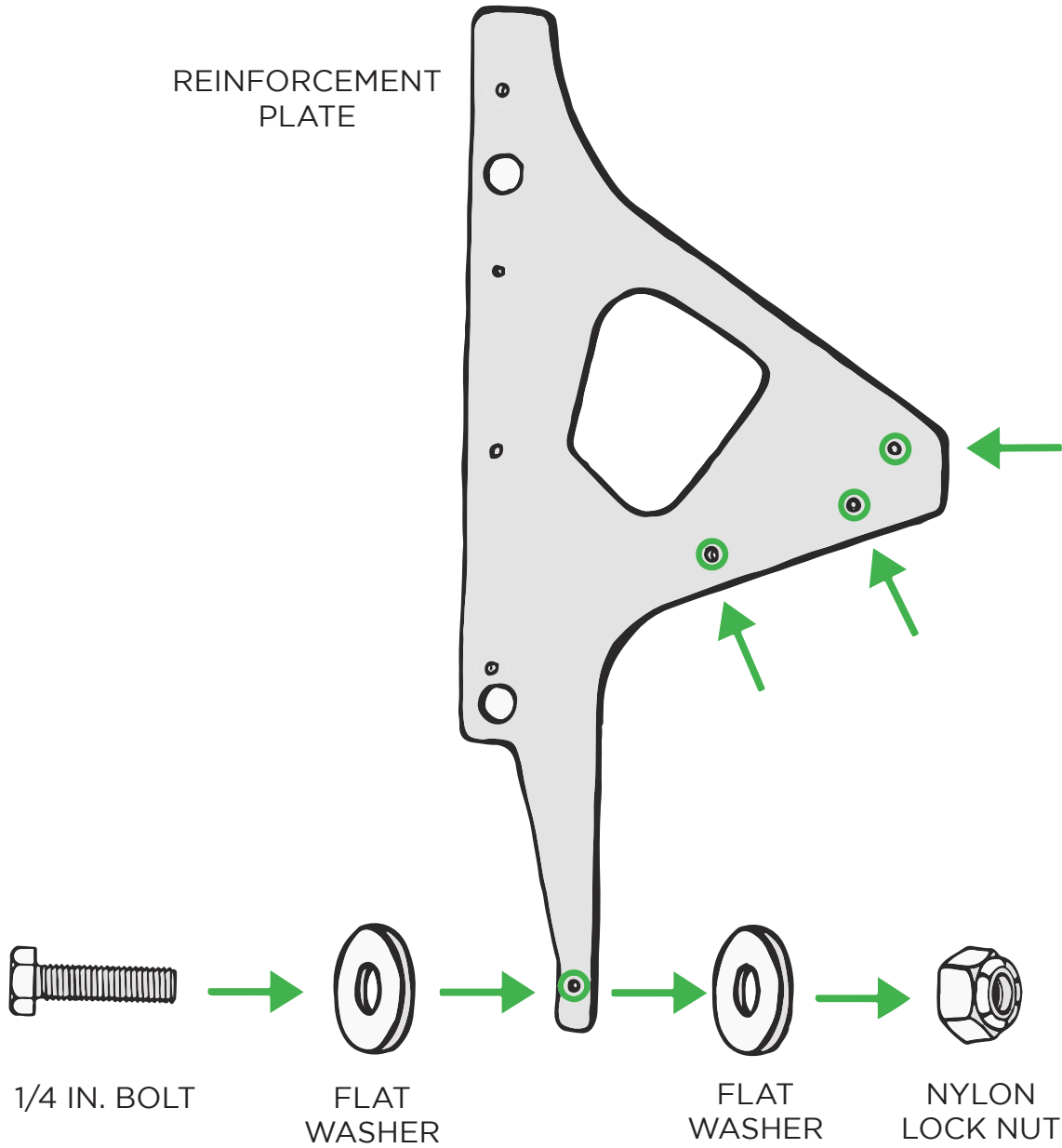
5. Attach the rest of the hardware - 1/4 in. Bolts, Flat Washers and Nylon Lock Nuts- to the Reinforcement Plate and tighten all bolts. Use the diagram on the next page for guidance.





# HARDWARE INSTALLATION GUIDE

## MOUNTING THE REINFORCEMENT PLATE TO THE REAR DOOR



6. After all hardware is tightened, reinstall the door panel. Congratulations, your installation is complete!

